

PART NAME

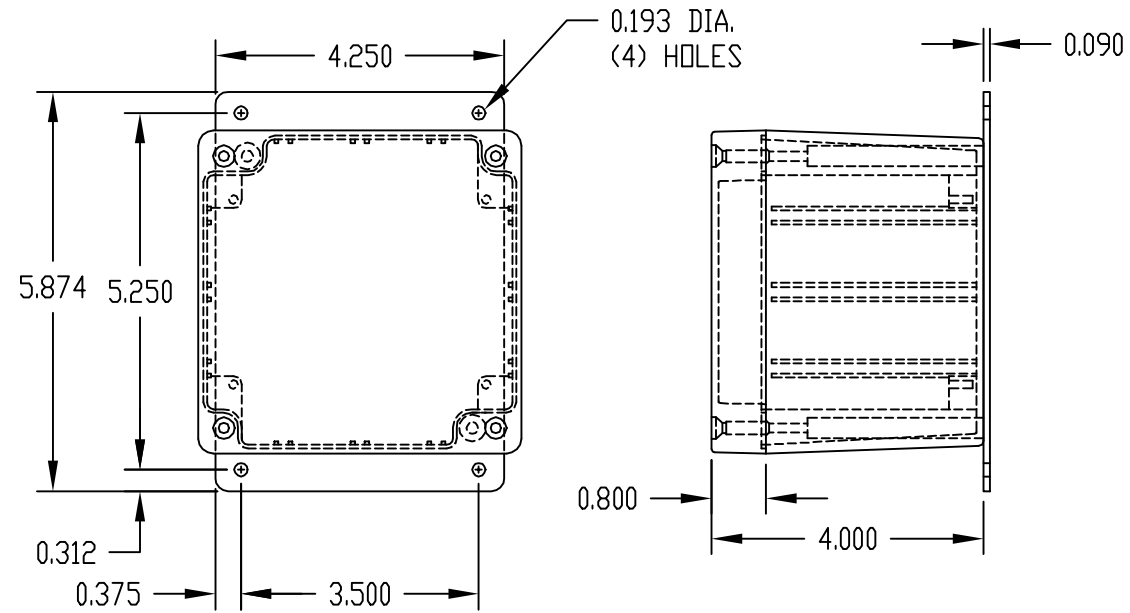
NEMA 4 ENCLOSURE

PART No.

AN-1309, AN-1309-G, AN-2809 & AN-2809-B

REV. DATE

2-12-04



PART NO. AN-2809 & AN-2809-B ARE SUPPLIED WITH A WELDED ON MOUNTING BRACKET ONLY.

MATERIAL: ALUMINUM ALLOY #ADC-10

FINISH: NATURAL (NO SUFFIX)
GRAY (SUFFIX -G)
SMOOTH BLACK (SUFFIX -B)

FOUR (4) M4 x 40mm (1.575") LG. STAINLESS STEEL SCREWS SUPPLIED FOR ASSEMBLY

TWO (2) M3.5 x 6mm (0.236") LG. NICKEL PLATED SCREWS AND LOCKWASHERS SUPPLIED FOR GROUNDING

ALL DIMENSIONS HAVE ±0.015 TOLERANCE UNLESS OTHERWISE SPECIFIED

